

PLEASE CHECK WWW.MOLEX.COM FOR LATEST PART INFORMATION

Part Number: [5008170605](#)
Status: **Active**
Description: 2.50mm (.098") Pitch Wire-to-Wire Retainer, 6 Circuits

Documents:

[3D Model](#) [Product Specification PS-500592-001 \(PDF\)](#)
[Drawing \(PDF\)](#) [RoHS Certificate of Compliance \(PDF\)](#)

General

| | |
|----------------|------------------------|
| Product Family | Accessories |
| Series | 500817 |
| Component Type | Retainer |
| Product Name | N/A |

Physical

| | |
|-------------------------------|----------------|
| Circuits (Loaded) | 6 |
| Color - Resin | Gray |
| Material - Resin | Polyester |
| Number of Rows | 1 |
| Packaging Type | Bag |
| Temperature Range - Operating | -40°C to +85°C |

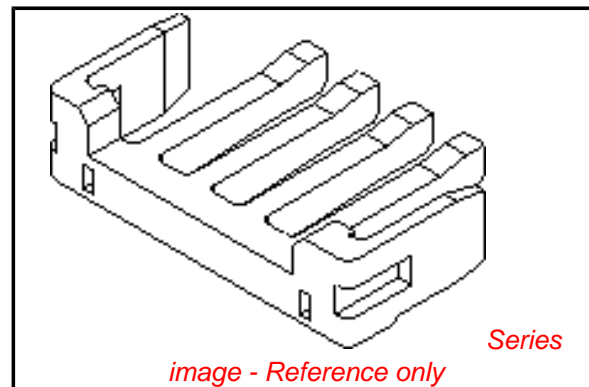
Electrical

| | |
|-------------------------------|----|
| Current - Maximum per Contact | 3A |
|-------------------------------|----|

Material Info

Reference - Drawing Numbers

| | |
|-----------------------|-------------------------------|
| Product Specification | PS-500592-001, RPS-500592-002 |
|-----------------------|-------------------------------|



EU RoHS

**ELV and RoHS
Compliant**
REACH SVHC
 Not Reviewed
**Halogen-Free
Status**

China RoHS



**Need more information on product
environmental compliance?**

Email productcompliance@molex.com
 For a multiple part number RoHS Certificate of Compliance, [click here](#)

Please visit the [Contact Us](#) section for any non-product compliance questions.

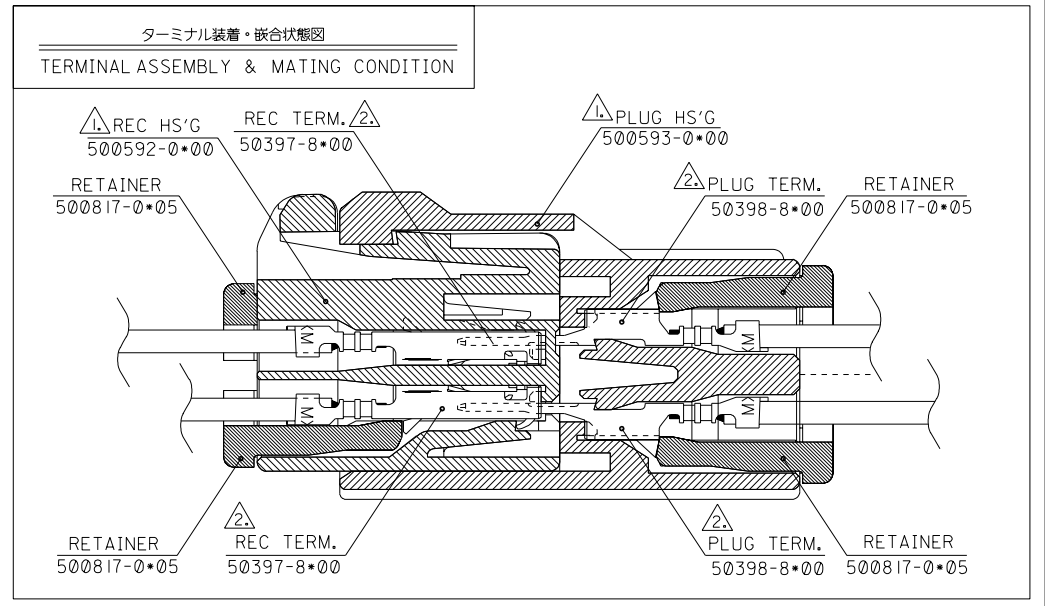
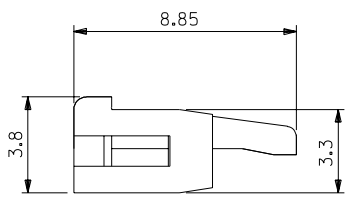
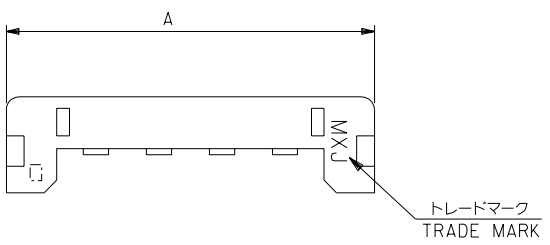
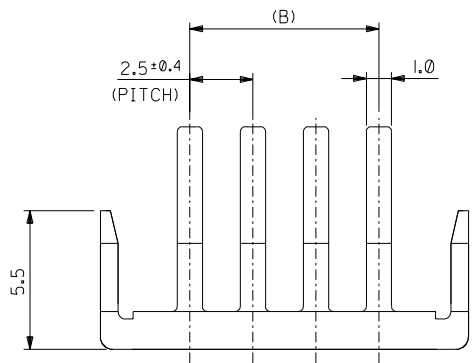
Search Parts in this Series

[500817Series](#)

Use With

[50397](#) , [500594](#) , [500595](#) , [500593](#) , [500592](#)
 , [50398](#)

DWG. NO.
SD-500817-001



注記
NOTES

- 1. 適合ハウジング: 500592/500593シリーズ
500594/500595シリーズ
APPLICABLE TERMINAL: 500592/500593 SERIES
500594/500595 SERIES
- 2. 適合ターミナル: 50397/50398シリーズ
APPLICABLE TERMINAL: 50397/50598 SERIES
- 4. 材質: PBT (UL94V-0)
MATERIAL: PBT(UL94V-0)
色: 灰色
COLOR: GRAY

| | | | | |
|------|------|------|--------------|--------------|
| 17.5 | 24.4 | 8 | 500817-0805 | 500817-***05 |
| 15 | 21.9 | 7 | -0705 | |
| 12.5 | 19.4 | 6 | -0605 | |
| 10 | 16.9 | 5 | -0505 | |
| 7.5 | 14.4 | 4 | -0405 | |
| 5 | 11.9 | 3 | -0305 | |
| 2.5 | 9.4 | 2 | 500817-0205 | |
| (B) | A | CKT. | MATERIAL NO. | MODEL NO. |

DO NOT SCALE DRAWING

| | | | | | | | | | | | | |
|------------------------------|------------------------------|------------------------------|------------------------------|--|----------------|---|---|--|--|------------|-------------------|---|
| 164 NO. DRWN: CH'K: APPR: | 163 NO. DRWN: CH'K: APPR: | 162 NO. DRWN: CH'K: APPR: | 161 NO. DRWN: CH'K: APPR: | RELEASED 160 NO. J2004-4643 DRWN: T.ODA 04/06/09 CH'K: S.ICHIKAWA APPR: YO.ITO | MATERIAL 材料 | GENERAL TOLERANCES: (UNLESS SPECIFIED) 一般公差 | SCALE 1:1 | DESIGN UNITS <input checked="" type="checkbox"/> mm <input type="checkbox"/> INCH | DIMENSIONS: <input type="checkbox"/> mm <input type="checkbox"/> INCH <input checked="" type="checkbox"/> mm ONLY | SHT REV | 20° PROJECTION | TITLE: 2.5 mm WIRE TO WIRE CONN. RETAINER |
| | | | | | | | | | | | | |
| 8 | 7 | 6 | 5 | 4 | 3 | 2 | THIS DRAWING CONTAINS INFORMATION THAT IS PROPRIETARY TO MOLEX INCORPORATED AND SHOULD NOT BE USED WITHOUT WRITTEN PERMISSION. | | SIZE B | | | |